



Energy Division

Raychem RSTI-SA-05 screened,
separable surge arrester
up to 24 kV

Raychem RSTI-SA-05 screened, separable surge arrester up to 24 kV

Product Features:

- Tested in accordance with IEC60099-4 (May 2004)
- State of art - gapless design
- Superior protection margins
- Low residual voltages
- Excellent short circuit performance
- Superior TOV performance
- Maintenance free

The screened gapless surge arrester is a "T"-shaped product. It is designed for direct connection onto outer cone bushings in accordance to EN50180 or EN50181 with interface type "C" or for parallel connection mating to the rear entry of the base screened connector system RSTI-58 designed for system voltage up to 24 kV.

The insulation of the screened surge arrester is made of a highly modified silicone rubber characterised by high tracking resistance, elongation at break and non-flammability.

A thin walled screen is permanently bonded onto the insulation and protects the connection system against unintentional contact.

The active part is a metal oxide arrester which meets the requirements of IEC-60099-4 for separable and dead-front arresters.

The combination of screened connector and surge arrester exceeds CENELEC HD 629.1 S1 requirements, which includes BS, VDE and other international specifications.

Easily accessible rear plug with capacitive test point.

Few accessories required for system test and earth connection.

Complete kit including screened surge arrester, threaded pin and ground lead for three phases facilitates installation and storage.

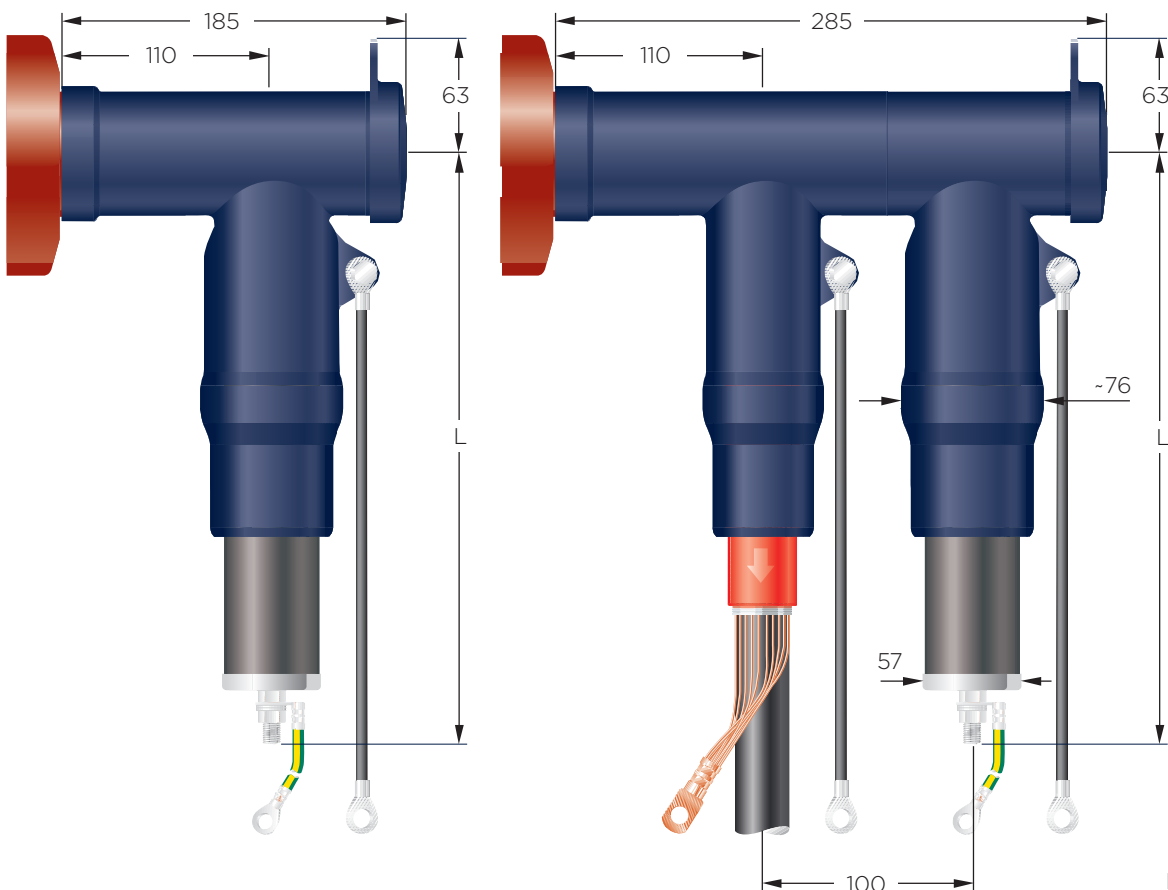
RSTI-SA-05 Applications

Single connection

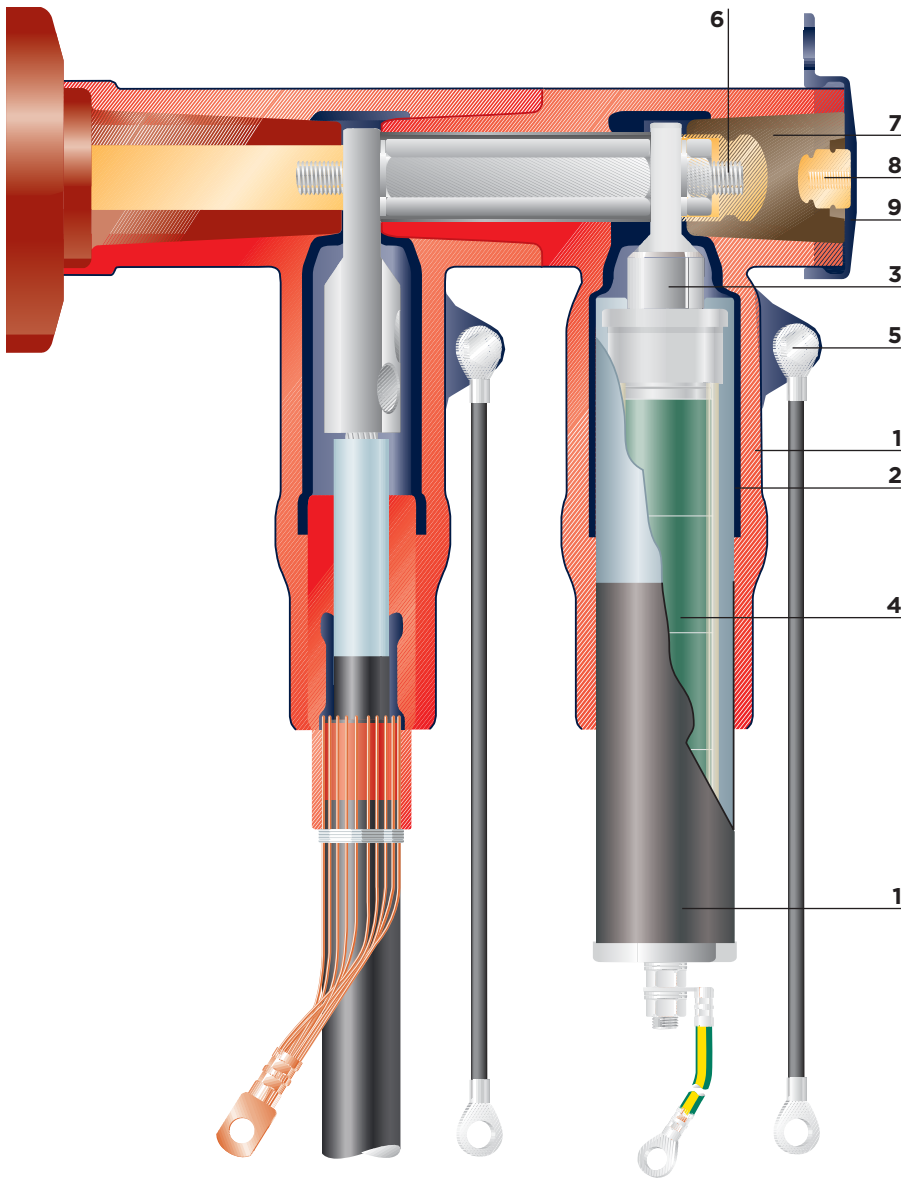
Material requested for 3 phases:
 1 x RSTI-58SAxx05
 (Screened surge arrester kit for direct bushing connection)

Parallel connection

Material requested for 3 phases:
 1 x RSTI-58xx (Base connector kit)
 1 x RSTI-CC-58SAxx05
 (Screened surge arrester kit with coupling connection)



Dimensions in mm



1 Screened body

A thin walled conductive outer screen is permanently bonded to the silicone rubber insulating material.

2 Inner screen

A conductive inner layer, as a Faraday cage around the top end electrode prevents corona at rated voltage.

3 Threaded lug

Pre-installed threaded lug, specially designed, facilitates the connection of the surge arrester to the base connector or bushing.

4 Surge arrester core

Gapless surge arrester core assembly consisting of ZnO (Zinc Oxide) varistors and a mechanical robust structure.

5 Earthing eye and ground lead

Provides a connection point for earthing the screen.

6 Threaded pin

A threaded pin together with a spring washer and hex nut ensure a high performance electrical and mechanical contact with the base connector or bushing.

7 Rear plug with test point

Removable rear plug with capacitive test point.

8 Test point

The test point is used to determine whether the circuit is energised; alternatively it can be used for phasing.

9 Conductive end cap

Electrical screen and protection of the rear end of the separable surge arrester.

RSTI-SA-05 Accessories

Test rod

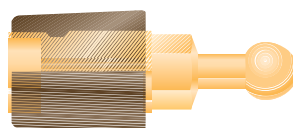
Ref. no.: RSTI-68TR; Length: 310 mm
 RSTI-68TRL; Length: 460 mm
 RSTI-68TRA; Kit includes
 2 short and 1 long testrod



Note: When test rod is in use, surge arrester assembly must be removed.

Earthing adapter

Ref. no.: RSTI-68EA20;
 Ball diameter: 20 mm
 RSTI-68EA25;
 Ball diameter: 25 mm



Raychem RSTI-SA-05 screened, separable surge arrester up to 24 kV

Technical data and ordering information

Technical data for single and parallel connection

Rated Discharge Current I_N	5 kA
Operating duty	
High current Impulse 4/10 μ s	65 kA
Short Circuit Current I_S	16 kA
Long duration current impulse (1ms)	75 A

Residual Voltages (kV)

Continuous operating voltage U_C	6	12	18	24
Rated Voltage U_R	7.5	15	22.5	30

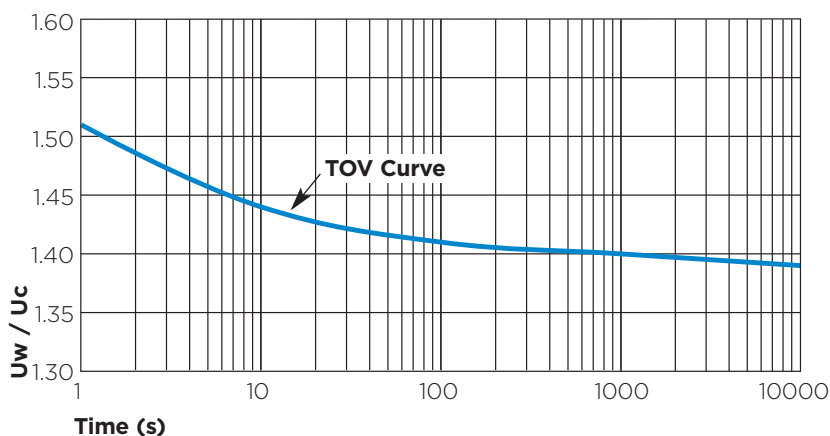
Lightning Current Impulse 8/20 μ s

2.5 kA	19	38	57	76
5 kA	20	40	60	80
10 kA	21.7	43.5	65.2	87

Steep lightning current impulse 1/20 μ s

5kA	21	42	63	84
-----	----	----	----	----

TOV with 65 kA single shot high current prior to energy



Temperature of samples (pre-heated): 60° C according to IEC 60099-4, Ed 2.0 2004. TOV Curve applies to an arrester which has a pre-stress applied prior to TOV verification. This pre-stress is equivalent to one high current impulse of 65 kA, 4/10 μ s as per the switching surge operating duty test.

U_w = TOV withstand voltage;
 U_c = continuous operating voltage

Ordering information

Voltage Class (kV)	6.0	12.0	18.0	24.0
Reference Number	RSTI-	RSTI-	RSTI-	RSTI-
Single connection	58SA0605	58SA1205	58SA1805	58SA2405
Reference Number	RSTI-CC-	RSTI-CC-	RSTI-CC-	RSTI-CC-
Parallel connection	58SA0605	58SA1205	58SA1805	58SA2405

Dimension and Weight

	6.0	12.0	18.0	24.0
Length L* (mm)	285.0	285.0	400.0	400.0
Weight (kg/pc)				
(58SA)	2.4	2.7	3.0	3.3
(-CC-58SA)	2.5	2.8	3.1	3.4

* see page 2

While Tyco Electronics and its affiliates referenced herein have made every reasonable effort to ensure the accuracy of the information contained in this catalog, Tyco Electronics cannot assure that this information is error free. For this reason, Tyco Electronics does not make any representation or offer any guarantee that such information is accurate, correct, reliable or current. Tyco Electronics reserves the right to make any adjustments to the information at any time. Tyco Electronics expressly disclaims any implied warranty regarding the information contained herein, including, but not limited to, the implied warranties of merchantability or fitness for a particular purpose. Tyco Electronics' only obligations are those stated in Tyco Electronics' Standard Terms and Conditions of Sale. Tyco Electronics will in no case be liable for any incidental, indirect or consequential damages arising from or in connection with, including, but not limited to, the sale, resale, use or misuse of its products. Users should rely on their own judgement to evaluate the suitability of a product for a certain purpose and test each product for its intended application. Raychem, TE Logo and Tyco Electronics are trademarks.

Energy Division - innovative and economical solutions for the electrical power industry: cable accessories, connectors & fittings, insulators & insulation, surge arresters, switching equipment, lighting controls, power measurement and control.

Tyco Electronics Raychem GmbH
 Energy Division
 Finsinger Feld 1
 85521 Ottobrunn/Munich, Germany

Phone: +49-89-6089-0
 Fax: +49-89-6096345

<http://energy.tycoelectronics.com>



Our commitment. Your advantage.